

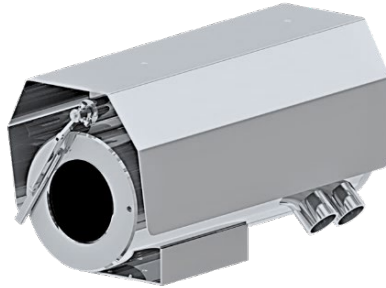
## SS1CH-37x4M Series

### Stainless Steel Weatherproof Fixed Camera Housing

Integrated with 4MP 37x Optical Zoom Sony Sensor Camera Module with optional built-in edge analytics



SS1CH



SS1CH-W



SS1CH-LEDW

### Main Features



Marine grade  
AISI316L Stainless  
Steel material



IP 66 / 68



4MP resolution  
37x optical zoom lens



Options for LED  
illuminator available



Option for IEEE  
802.3at PoE+



*(Optional)* Intelligent  
Video Analytics for  
Human, Vehicle &  
Object Detection



*(Optional)* Advanced  
Analytics Fire or  
Smoke Detection



*(Optional)* Simplify  
Unified Intelligent  
Platform

## Technical Data

General	
Ingress Protection	IP 66 / 68
Operating Temperature	-40°C to 60°C
Relative Humidity	≤95%
Mechanical	
Body Material	AISI316L Stainless Steel
Sight Glass Material	Window with hardened mineral clear tempered glass
	Window with Germanium glass (for SS1CH-G and SS1CH-GL models)
Overall Dimension (WxHxD)	<i>Please refer to overall dimension drawings of each model.</i>
Weight	Approximate 20KG
Internal Usable Size for Camera Module	Ø80 x 155 mm
Cable Entry	2 x M25
Electrical	
Operating Voltage	AC110-240V (0.5A - 1.10A), 50/60Hz Optional: IEEE 802.3at PoE+
Power Consumption	Max 110W (110V), Max 120W (240V)
Thermostatically Controlled Heater	T°C on: <10°C, T°C off: >10°C
Optional	
Wiper Mechanism	Available for SS1CH-W and SS1CH-LEDW model
LED Illumination	Up to 200 meters (Available for SS1CH-LED and SS1CH-LEDW model)
Accessories	
Standard	Sunshield, Swivel Joints
Optional	Wall Bracket

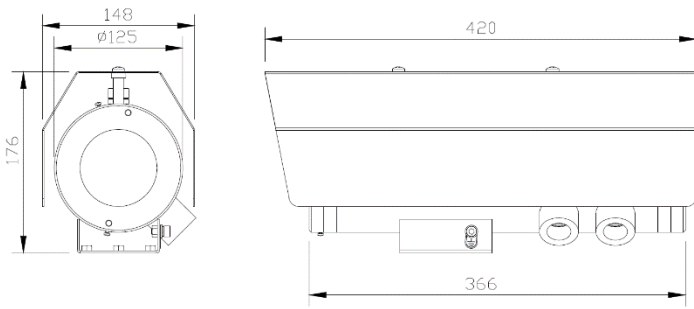
## IP Camera/Lens

Camera	
Day/Night	Automatically removable IR-cut filter
Shutter Time	1~1/10K s
Noise Reduction	2DNR, 3DNR, NR by motion
Image Settings	Color, Brightness, Sharpness, Contrast, White Balance, Exposure Control, Masking, Text Overlay
Corridor Mode	Corridor Mode 90°, 180°, 270° rotation
Image	
Image Sensor	1/2.8" Progressive CMOS
Effective Pixels	HxV = 2065x1553 (3MP)
Pixel Size	2.5 μm
Lens	f =4.6 mm (wide) to 152.0 mm (tele), F1.6
FOV	Horizontal: 55° (wide), 2° (tele)      Vertical: 43° (wide), 1.0° (tele)
Zoom	33x Optical Zoom, up to 10x Digital Zoom
Min. Illumination	Color: 0.04Lux      B/W: 0.002Lux
Frame Rate (Maximum)	H265: HDR 3M @30fps + 720p @30fps
	H264: HDR 3M @30fps + 720p @30fps
	MJPEG: 1080p @30fps
Compression Standard	
Video Compression	H.265/H.264/MJPEG
Video Streaming	Up to 4 individually configurable streams in H.265/ H.264/ MJPEG Configurable resolution/ frame rate/ bandwidth LBR/ VBR/ CBR in H.265/ H.264
Network	
Security	User Authentication/ HTTPS/ IP Filter/ IEEE 802.1x
Supported Protocols	ARP, PPPoE, IPv4/v6, ICMP, IGMP, QoS, TCP, UDP, DHCP, UPnP, SNMP, SMTP, RTP, RTSP, HTTP, HTTPS, FTP, NTP, DDNS
ONVIF	Profile S/ G/ Q/ T conformant
System Integration	
General Events	Motion Detection/ Tampering / Scene Changing / SD Card / Network / Illegal Access
Intelligent Video Analytics	<i>(optional upon request)</i> Human, Vehicle & Object Detections for Tripwire / Intrusion / Loitering / Abandoned Object / Missing Object / Parking Detection / Crowd Detection
Advanced Analytics	<i>(optional upon request)</i> Fire Detection or Smoke Detection
Intelligent Platform	<i>(optional upon request)</i> Simplify Unified Intelligent Platform Integration, Radar Tracking Integration
General	
Storage	Support for microSD/ microSDHC/ microSDXC card Support for recording to NAS

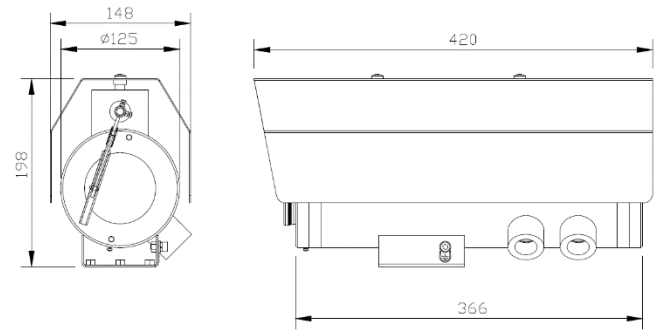
\*Analog camera and other camera module options are available upon request.

\*Thermal camera options are available for G model. Please contact us for the details

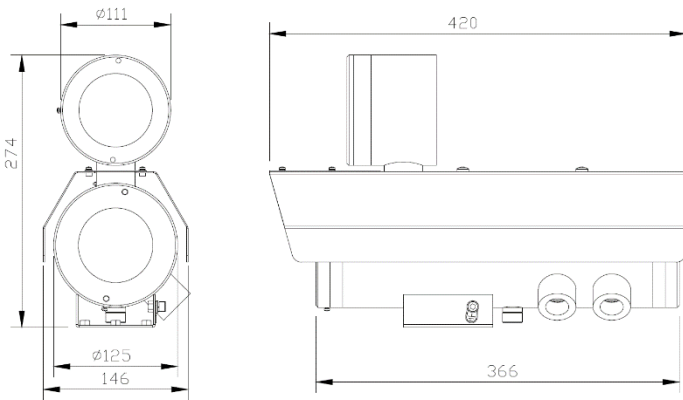
## Outline Dimensions (mm)



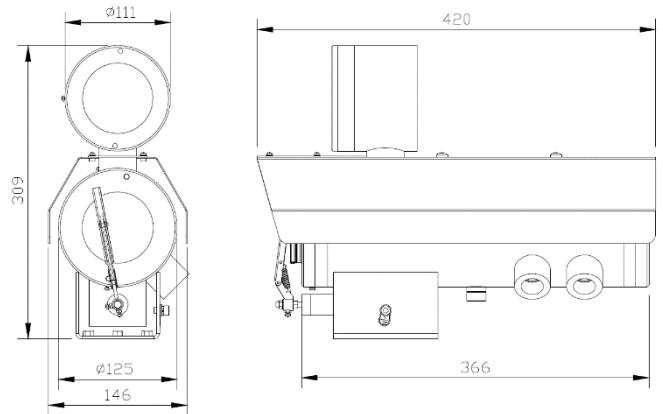
SS1CH Outline Dimensions



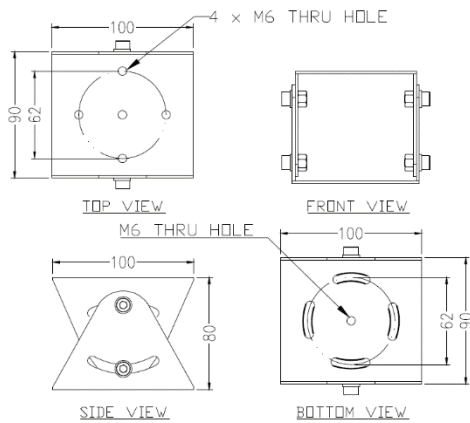
SS1CH-W Outline Dimensions



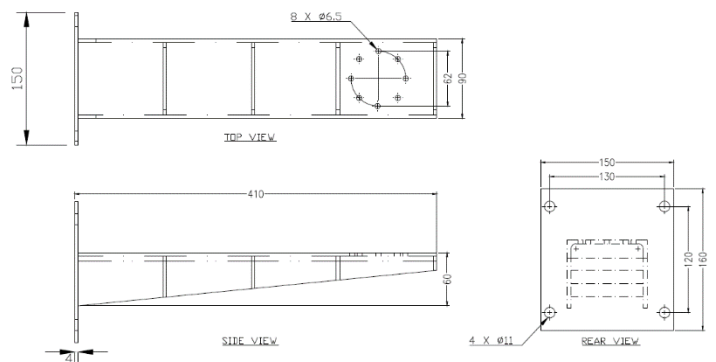
SS1CH-LED Outline Dimensions



SS1CH-LEDW Outline Dimensions



SJ-SS1CH - Swivel Joints Outline Dimensions



WB-SS1CH - Wall Bracket Outline Dimensions

SS1CH - X - 33x3M - X

POE Options

Blank : No additional option

POE : POE+

Additional Options

Blank : No additional option

W : Fitted with wiper mechanism

LED : With LED Illuminator

LEDW : With LED Illuminator and Wiper

## Standard Accessories

SCH-SS1CH : Sunshield for Camera Housing (for SS1 series without LED illuminator)

SCH-SS1CH-LED : Sunshield for Camera Housing with LED illuminator (for SS1CH-LED and SS1CH-LEDW)

SJ-SS1CH : Swivel Joints

## Optional Accessories

WB-SS1CH : Wall Bracket