

SX1PTZ-AVI Series

Explosion Proof PTZ Camera Station

Integrated with Avigilon Camera Module with optional built-in edge analytics



SX1PTZ-W



SX1PTZ-LEDW

Main Features



Marine grade
AISI316L Stainless
Steel material



Ex II 2 G Ex db op pr
IIC T6 Gb / Ex II 2 D Ex
tb op pr IIC T80°C Db,
IP 66 / 68



Multiple lens options
available



Option for LED
illuminator
available



Option for IEEE
802.3bt PoE++
(90Watt)



Intelligent Video
Analytics for Human,
Vehicle & Object
Detection



(Optional) Advanced
Analytics Fire or
Smoke Detection



(Optional) Simplify
Unified Intelligent
Platform & Radar
Tracking Integration

Technical Data

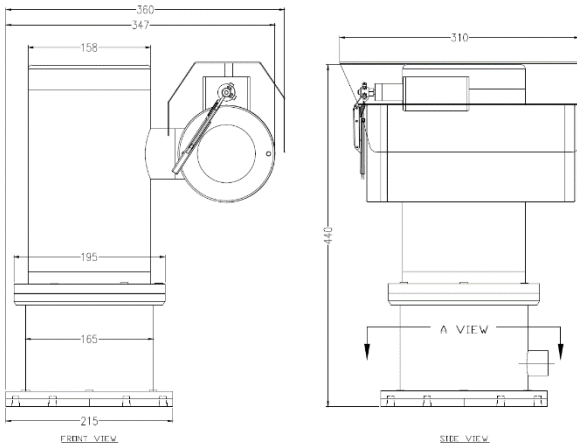
General	
Certification	Ex II 2 G Ex db op pr IIC T6 Gb / Ex II 2 D Ex tb op pr IIIC T80°C Db
Protection Level	IP 66 / 68, TVS 6000V Lightning Protection, Surge Protection and Voltage Transient Protection
Operating Temperature	-40°C to 60°C
Relative Humidity	≤95%
Mechanical	
Body Material	Stainless steel 316L material
Sight Glass Material	Window with hardened mineral clear tempered glass
	Window with Germanium glass (for SX1PTZ-G and SX1PTZ-GL model)
Pan & Tilt Speed	Variable speed option: 0.1 ⁰ /s to 45 ⁰ /s
Pan & Tilt Movement	Pan: 360° continuously Tilt: -90° ~ +90°
Overall Dimension (WxHxD)	<i>Please refer to overall dimension drawings of each model.</i>
Weight	Approximate 38KG
Internal Usable Size for Camera Module	Ø80 x 155 mm
Wiper Mechanism	Available for all model
Cable Entries	1 x M25 (optional additional cable entry upon request)
Electrical	
Operating Voltage	AC110-240V (0.5A - 1.10A), 50/60Hz Optional: IEEE 802.3bt PoE++(90W)
Power Consumption	Max 110W (110V), Max 120W (240V)
Thermostatically Controlled Heater	T°C on: <10°C, T°C off: >10°C
Optional	
LED Illumination	Up to 200 meters (for SX1PTZ-LEDW model)
Built in Fiber Optic Module	Single Mode or Multi Mode or Dual Mode (-SM or -MM or -DM model, please refer to below ordering info)
Accessories	
Standard	Sunshield for Camera Housing
Optional	Wall Bracket, Sunshield for Pan & Tilt Body

	Self-learning Video Analytics Range					
	2MP, 18x Zoom	2MP	4MP (9)	4MP (22)	6MP	8MP [4K]
Sensor	1/2.8"				1/1.8"	
Focal Length (mm)	4.7 - 84.6	3.3 - 9	3.3 - 9	9 - 22	4.9 - 8	4.9 - 8
Focus	F1.6	F1.3	F1.3	F1.6	F1.8	
Effective Pixels (HxV)	(16:9) 1920 x 1080		(16:9) 2560 x 1440 (4:3) 2304 x 1728		(16:9) 3200 x 1800 (3:2) 3027 x 2048	(16:9) 3840 x 2160
Horizontal Angle of View	(16:9) 4.1° - 60°	(16:9) 34° - 99°	(16:9) (4:3) 34° - 92°	(16:9) 14° - 31° (4:3) 11° - 24°	(16:9) 52° - 92° (3:2) 41° - 73°	(16:9) 52° - 92°
Max Image Rate	(50 Hz/60 Hz): 25 fps/30 fps		WDR off (50 Hz/60 Hz): 25 fps/30 fps WDR on (50 Hz/60 Hz): 20 fps/20 fps		(50 Hz/60 Hz): 25 fps/30 fps	
Day/Night Control	Automatic, Manual					
Illumination Requirement	Color: 0.039Lux B/W: 0.02Lux	Color: 0.027Lux B/W: 0.014Lux	Color: 0.03Lux B/W: 0.015Lux	Color: 0.058Lux B/W: 0.029Lux	Color: 0.055Lux B/W: 0.028Lux	
Image Compression Method	H.264 HDSM SmartCodec, H.265 HDSM SmartCodec, Motion JPEG					
Protocols	IPv6, IPv4, HTTP, HTTPS, SOAP, DNS, NTP, RTSP, RTCP, RTP, TCP, UDP, IGMP, ICMP, DHCP, Zeroconf, ARP					
Supported Video Analytics Events	Objects in Area, Loitering, Crossing Beam, Object Appears or Enters Area, Object Not Present in Area, Objects Enter Area, Objects Leave Area, Object Stops in Area, Direction Violated, Tamper Detection					
Advanced Analytics	<i>(optional upon request)</i> Fire Detection or Smoke Detection					
Intelligent Platform	<i>(optional upon request)</i> Simplify Unified Intelligent Platform Integration, Radar Tracking Integration					

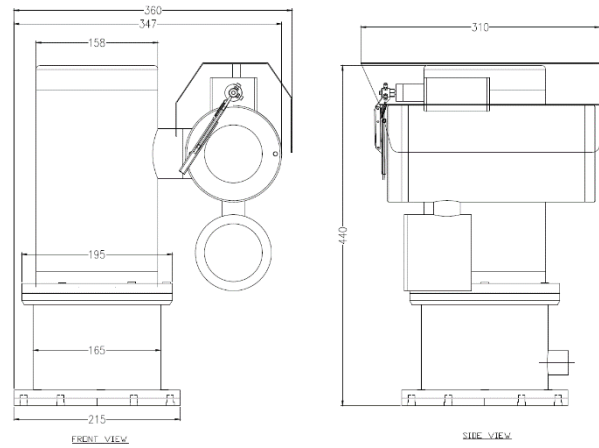
*Analog camera and other camera module options are available upon request.

*Thermal camera options are available for G model. Please contact us for the details

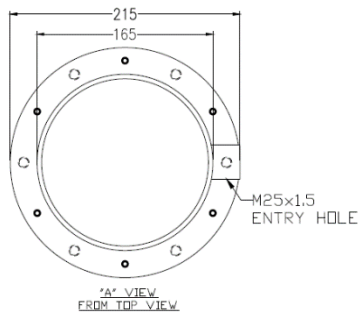
Outline Dimensions (mm)



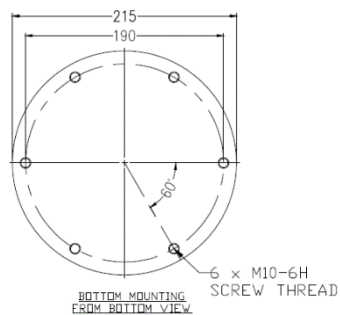
SX1PTZ-W Outline Dimensions



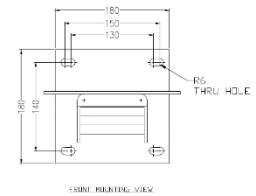
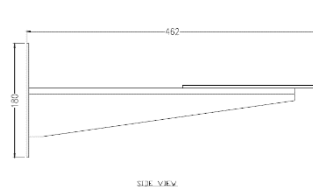
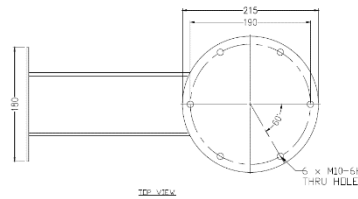
SX1PTZ-LEDW Outline Dimensions



Base View from Top



Base View from Bottom for Mounting



WB-SX1PTZ - Wall Bracket Outline Dimensions

Model & Ordering Code

SX1PTZ - X - AVI - X - X - X

POE Options

Blank : No additional option
 POE : POE++

Built-in Fiber Optic Module Options

SM : Single Mode
 MM : Multi Mode
 DM : Dual Mode

Camera Module Options

18x2M : 2MP, 18x Zoom, IP with Self-learning Video Analytics
 2M : 2MP, IP with Self-learning Video Analytics
 4M (9) : 4MP (3.3-9mm), IP with Self-learning Video Analytics
 4M (22) : 4MP (9-22mm), IP with Self-learning Video Analytics
 6M : 6MP, IP with Self-learning Video Analytics
 8M : 8MP, IP with Self-learning Video Analytics

Camera Station Options

W : Fitted with wiper mechanism
 LEDW : With LED Illuminator and Wiper

Standard Accessories

SCH-SX1PTZ : Sunshield for Camera Housing

Optional Accessories

WB-SX1PTZ : Wall Bracket
 SPT-SX1PTZ : Sunshield for Pan & Tilt Body