

SS1PTZ-40x2M Series

Stainless Steel Weatherproof PTZ Camera Station

Integrated with 2MP 40x Optical Ventionex SX800 Long Range Camera Module



SS1PTZ-W

Main Features



Marine grade
AISI316L Stainless
Steel material



IP 66 / 68



Option for IEEE
802.3bt PoE++
(90Watt)



High image quality
with low noise at low-
light (0.00015Lux)



20-800mm focal
length lens with auto-
focus for long range



2MP Resolution
40x optical zoom lens



Combined EIS + OIS
Image Stabilization
System



Fog and Heat Haze
Reduction

Technical Data

General	
Protection Level	IP 66 / 68, TVS 6000V Lightning Protection, Surge Protection and Voltage Transient Protection
Operating Temperature	-40°C to 60°C
Relative Humidity	≤95%
Mechanical	
Body Material	Stainless steel 316L material
Sight Glass Material	Window with hardened mineral clear tempered glass
Pan & Tilt Speed	Variable speed option: 0.1°/s to 45°/s
Pan & Tilt Movement	Pan: 360° continuously Tilt: -90° ~ +90°
Overall Dimension (WxHxD)	<i>Please refer to overall dimension drawings of each model.</i>
Internal Usable Size for Camera Module	Ø220 x 470
Cable Entries	1 x M25
Weight	Approximate 45KG
Electrical	
Operating Voltage	AC110-240V (0.5A - 1.10A), 50/60Hz Optional: IEEE 802.3bt PoE++(90W)
Power Consumption	Max 110W (110V), Max 120W (240V)
Thermostatically Controlled Heater	T°C on: <10°C, T°C off: >10°C
Accessories	
Standard	Sunshield for Camera Housing
Optional	Wall Bracket, Sunshield for Pan & Tilt Body, Pole Top Mounting Adapter

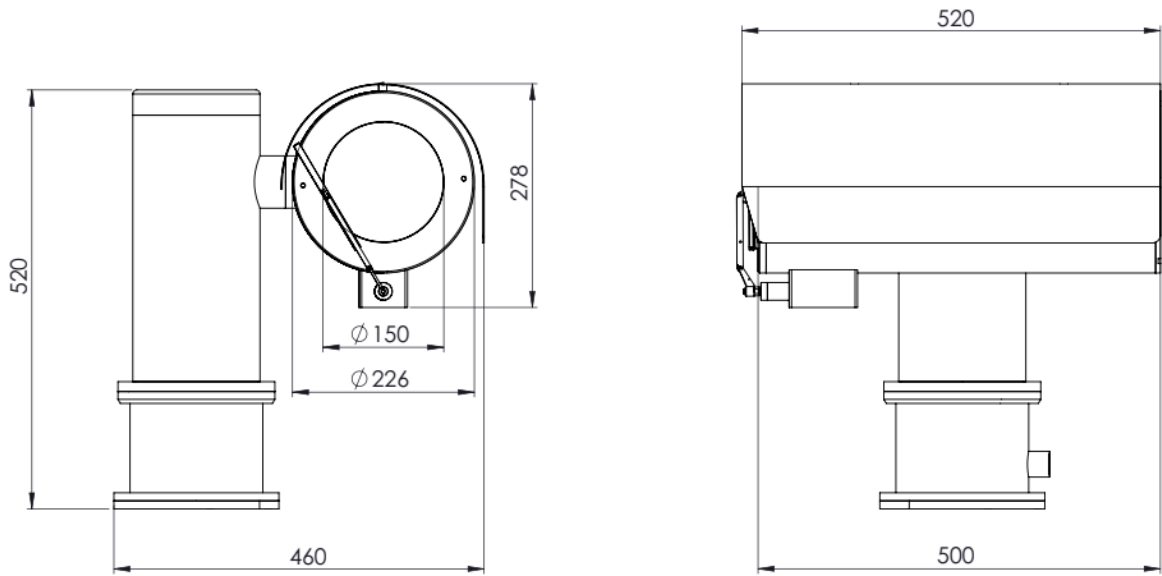
IP Camera/Lens

Camera		
Day/Night	Auto, Manual	
Optical Filter	Visible Light Cut filter (ON / OFF)	
Shutter Speed	Auto (with minimum speed selection of 1/8 - 1/125s), Manual (1 - 1/20,000s)	
Focus Settings	Continuous AF, Quick AF, Manual	
Iris	Auto, Manual (Aperture range: F4 - F16)	
Image Stabilization	Auto, OIS, EIS, OFF	
Image Settings	Wide Dynamic Range, Back Light Correction, Heat Haze Reduction, Fog Reduction, Noise Reduction, Brightness, Contrast, Saturation, Sharpness, White Balance	
Image		
Zoom	40x Optical Zoom, 1.25x Digital Zoom	
Image Sensor	1/1.8"	
Effective Pixels	HxV = 1080 x 1920 (2MP)	
Lens	f =20 mm (wide) to 800 mm (tele)	
FOV	Horizontal: 21.0° (wide), 0.55° (tele)	Vertical: 11.8° (wide), 0.31° (tele)
Min. Object Distance	10m (20 - 400mm in focal length)	20m (401 - 800mm in focal length)
Min. Illumination	Color: 0.00015Lux(at F1.2)/0.0017Lux(at F4.0)	B/W: 0.0001Lux(at F1.2)/0.0011Lux(at F4.0)
Video Format	NTSC: 1080p, 720p, 480p	PAL: 1080p, 720p, 576p
Compression Standard		
Recording Format	MOV	
Video Compression	H.264	
Network		
Supported OS	Windows 7/10	
Supported Browser	Chrome71+, IE11	
Supported Protocols	ICMP, ARP, TCP/IP, UDP/IP, HTTP, RTSP, RTP, DHCP, DNS	
ONVIF	Profile S	
General		
SD Card (SDHC/SDXC)	UHS-1-compatible 8GB+ SD Speed Class 10 or above	
RS-485 Compatible	Pelco-D / Pelco-P	

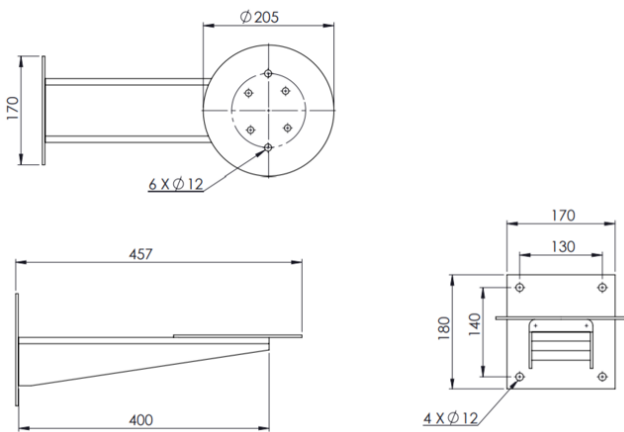
*Analog camera and other camera module options are available upon request.

*Thermal camera options are available for G model. Please contact us for the details

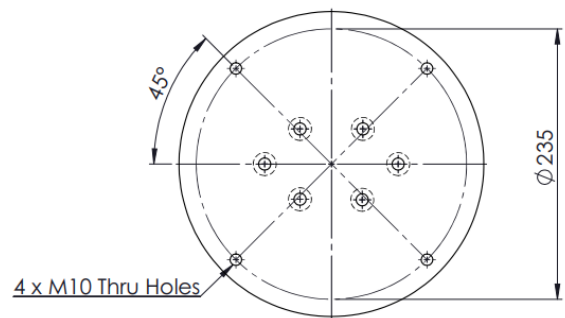
Outline Dimensions (mm)



SS1PTZ-W-40x2M Outline Dimensions

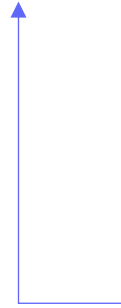


WB-SS1PTZ - Wall Bracket Outline Dimensions



PTA-SS1PTZ - Pole Top Mounting Adapter Outline Dimensions

SS1PTZ - W - 40x2M - X



POE Options

Blank : No additional option
POE : POE++

Standard Accessories

SCH-SS1PTZ : Sunshield for Camera Housing

Optional Accessories

WB-SS1PTZ : Wall Bracket
SPT-SS1PTZ : Sunshield for Pan & Tilt Body
PTA-SS1PTZ : Pole Top Mounting Adapter