

## AP2 V3-AVI Series

### Outdoor Type Intelligence PTZ Camera

Integrated with Avigilon Camera Module



#### Main Features



Aluminum die-cast casing material



Built-in wiper with telemetry receiver



IP 66 / IP 67



Vandal-proof IK10 ratings



Weatherproof



360° continuously Pan



Operating Temperature -35°C to 60°C



2-alarm input, 2-alarm output (selection)

## Technical Data

General	
Ingress Protection	IP66 / 67
Operating Temperature	-35°C to 60°C
Relative Humidity	5% ~ 95%
Mechanical	
Material	Die-cast aluminum material
Built-in Wiper Mechanism	Yes
Overall Dimension (WxHxD)	155 × 433.3 × 375mm
Weight (without camera and lens)	9kg
Pan Speed	0.1° ~ 40°/s
Tilt Speed	0.1° ~ 20°/s
Preset Pan Speed	100°/s
Preset Tilt Speed	30°/s
Pan range	Pan range 360° continuously
Tilt range	Tilt range -70° ~ +33°
Electrical	
Operating Voltage	AC 24V 50/60Hz
Power consumption	60VA
Built-in surge/lightning protector	Yes
Telemetry Receiver	
Connection	RS485 or RS422 connection
Protocol	Pelco D or Pelco P (Please specify. Other protocols upon request.)
Preset	128 (max)
6 programmable pattern tracks	Yes
Pan angle limit setting	Yes
Alarm I/O	2-alarm input, 2-alarm output (selection)
Standard Fitted	
Sunshield	Yes (can be excluded upon request)
Thermostatically Controlled Heater	Yes (can be excluded upon request)
Optional Accessories	
Wall Mount Bracket	WB-AP2

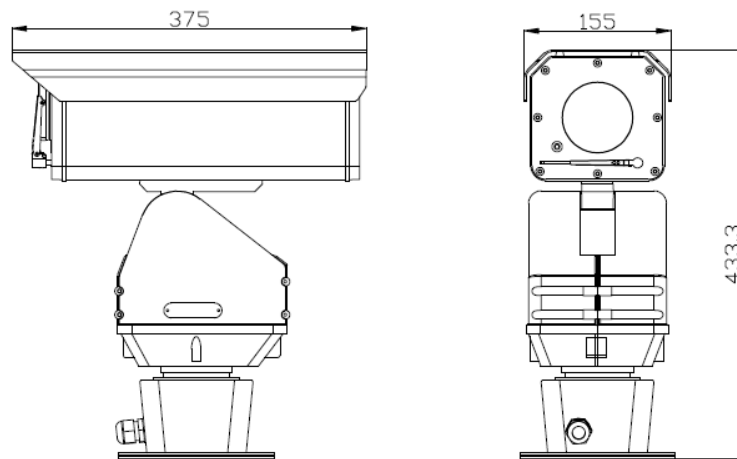
## IP Camera/Lens

	Self-learning Video Analytics Range					
	2MP, 18x Zoom, IP	2MP, IP	4MP (9), IP	4MP (22), IP	6MP, IP	8MP [4K], IP
Sensor	1/2.8"				1/1.8"	
Focal Length (mm)	4.7 - 84.6	3.3 - 9	3.3 - 9	9 - 22	4.9 - 8	4.9 - 8
Focus	F1.6	F1.3	F1.3	F1.6	F1.8	
Effective Pixels (HxV)	(16:9) 1920 x 1080		(16:9) 2560 x 1440 (4:3) 2304 x 1728		(16:9) 3200 x 1800 (3:2) 3027 x 2048	(16:9) 3840 x 2160
Horizontal Angle of View	(16:9) 4.1° - 60°	(16:9) 34° - 99°	(16:9) (4:3) 34° - 92°	(16:9) 14° - 31° (4:3) 11° - 24°	(16:9) 52° - 92° (3:2) 41° - 73°	(16:9) 52° - 92°
Max Image Rate	(50 Hz/60 Hz): 25 fps/30 fps		WDR off (50 Hz/60 Hz): 25 fps/30 fps WDR on (50 Hz/60 Hz): 20 fps/20 fps		(50 Hz/60 Hz): 25 fps/30 fps	
Day/Night Control	Automatic, Manual					
Illumination Requirement	Color: 0.039Lux B/W: 0.02Lux	Color: 0.027Lux B/W: 0.014Lux	Color: 0.03Lux B/W: 0.015Lux	Color: 0.058Lux B/W: 0.029Lux	Color: 0.055Lux B/W: 0.028Lux	
Image Compression Method	H.264 HDSM SmartCodec, H.265 HDSM SmartCodec, Motion JPEG					
Protocols	IPv6, IPv4, HTTP, HTTPS, SOAP, DNS, NTP, RTSP, RTCP, RTP, TCP, UDP, IGMP, ICMP, DHCP, Zeroconf, ARP					
Supported Video Analytics Events	Objects in Area, Loitering, Crossing Beam, Object Appears or Enters Area, Object Not Present in Area, Objects Enter Area, Objects Leave Area, Object Stops in Area, Direction Violated, Tamper Detection					

\*Analog camera and other camera module options are available upon request.

## Outline Dimensions (mm)

---

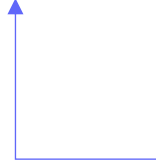


AP2 V3 Outline Dimensions

## Model & Ordering Code

---

AP2 V3 - AVI - X



### Camera Module Options

- 18x2M : 2MP, 18x Zoom, IP with Self-learning Video Analytics
- 2M : 2MP, IP with Self-learning Video Analytics
- 4M (9) : 4MP (3.3-9mm), IP with Self-learning Video Analytics
- 4M (22) : 4MP (9-22mm), IP with Self-learning Video Analytics
- 6M : 6MP, IP with Self-learning Video Analytics
- 8M : 8MP, IP with Self-learning Video Analytics

## Standard Accessories

SCH-AP2V3 : Sunshield for Camera Housing

## Optional Accessories

WB-AP2 : Wall Bracket