

## AP2 V2-33x3M Series

### Outdoor Type Intelligence PTZ Camera

Integrated with 3MP 33x Optical Zoom Ventionex VX1 Sony Sensor Camera Module



AP2 V2

### Main Features

---



Aluminum die-cast casing material



Built-in wiper with telemetry receiver



IP 66 / IP 67



Vandal-proof IK10 ratings



Weatherproof



360° continuously Pan



Operating Temperature -35°C to 55°C



2-alarm input, 2-alarm output (selection)

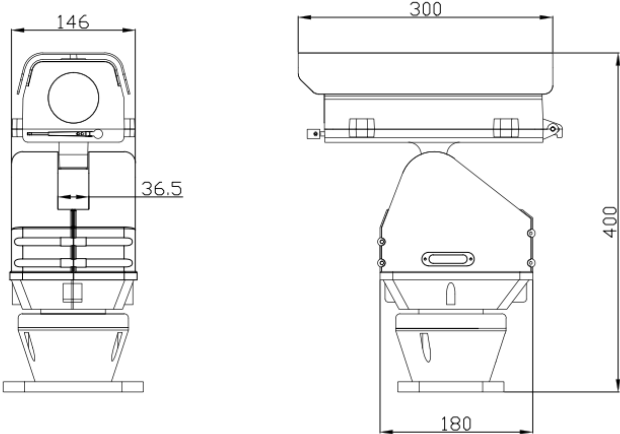
## Technical Data

	AP2 V2	AP2 V2 - IR
<b>General</b>		
Ingress Protection	IP66 / 67	
Operating Temperature	-35°C to 55°C	
Relative Humidity	90%	
<b>Mechanical</b>		
Material	Die-cast aluminum material	
Built-in Wiper Mechanism	Yes	
Overall Dimension (WxHxD)	146×400×300mm	353.5×400×300mm
Weight (without camera and lens)	9kg	9kg
Pan Speed	0.1° ~ 40°/s	
Tilt Speed	0.1° ~ 20°/s	
Preset Pan Speed	100°/s	
Preset Tilt Speed	30°/s	
Pan range	Pan range 360° continuously	
Tilt range	Tilt range -70° ~ +33°	
<b>Electrical</b>		
Operating Voltage	AC24V 50/60Hz	
Power consumption	60VA	
Built-in surge/lightning protector	Yes	
<b>Telemetry Receiver</b>		
Connection	RS485 or RS422 connection	
Protocol	Pelco D or Pelco P (Please specify. Other protocols upon request)	
Preset	128 (max)	
6 programmable pattern tracks	Yes	
Pan angle limit setting	Yes	
OSD menu function	Yes	
Alarm I/O	2-alarm input, 2-alarm output (selection)	
<b>IR Illuminator</b>		
Illuminating Distance	-	100m (max)
<b>Standard Fitted</b>		
Sunshield	Yes (can be excluded upon request)	
Thermostatically Controlled Heater	Yes (can be excluded upon request)	
<b>Optional Accessories</b>		
Wall Mount Bracket	WBAP2V2	

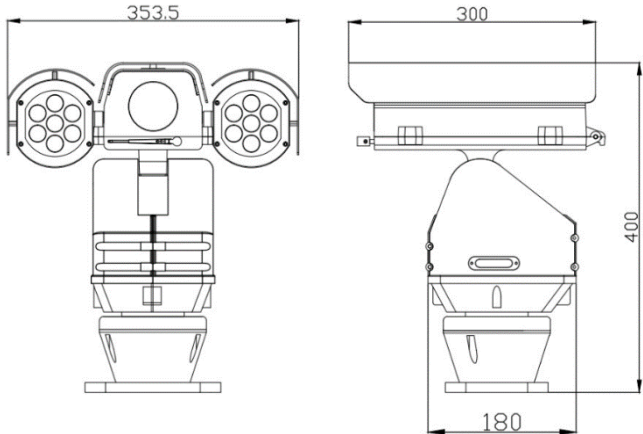
Camera	
Day/Night	Automatically removable IR-cut filter
Shutter Time	1~1/10K s
Noise Reduction	2DNR, 3DNR, NR by motion
Image Settings	Color, Brightness, Sharpness, Contrast, White Balance, Exposure Control, Masking, Text Overlay
Corridor Mode	Corridor Mode 90°, 180°, 270° rotation
Image	
Image Sensor	1/2.8" Progressive CMOS
Effective Pixels	HxV = 2065x1553 (3MP)
Pixel Size	2.5 μm
Lens	f =4.6 mm (wide) to 152.0 mm (tele), F1.6
FOV	Horizontal: 55° (wide), 2° (tele)      Vertical: 43° (wide), 1.0° (tele)
Zoom	33x Optical Zoom, up to 10x Digital Zoom
Min. Illumination	Color: 0.04Lux      B/W: 0.002Lux
Frame Rate (Maximum)	H265: HDR 3M @30fps + 720p @30fps
	H264: HDR 3M @30fps + 720p @30fps
	MJPEG: 1080p @30fps
Compression Standard	
Video Compression	H.265/H.264/MJPEG
Video Streaming	Up to 4 individually configurable streams in H.265/ H.264/ MJPEG Configurable resolution/ frame rate/ bandwidth LBR/ VBR/ CBR in H.265/ H.264
Network	
Security	User Authentication/ HTTPS/ IP Filter/ IEEE 802.1x
Supported Protocols	ARP, PPPoE, IPv4/v6, ICMP, IGMP, QoS, TCP, UDP, DHCP, UPnP, SNMP, SMTP, RTP, RTSP, HTTP, HTTPS, FTP, NTP, DDNS
ONVIF	Profile S/ G/ Q/ T conformant
System Integration	
Analytics	Motion Detection/ Tampering
General	
Storage	Support for microSD/ microSDHC/ microSDXC card Support for recording to NAS

\*Analog camera and other camera module options are available upon request.

## Outline Dimensions (mm)



AP2 V2 Outline Dimensions



AP2 V2 - IR Outline Dimensions

AP2 V2 - X - 33x3M



IR Options  
Blank : No additional option  
IR : Integrated IR Illuminator

## Optional Accessories

WBAP2V2 : Wall Bracket