

## AP2 V2-22x4K Series

### Outdoor Type Intelligence PTZ Camera

Integrated with 8MP [4K] 22x Optical Zoom Ventionex VX2 Sony Sensor Camera Module



AP2 V2

### Main Features

---



Aluminum die-cast casing material



Built-in wiper with telemetry receiver



IP 66 / IP 67



Vandal-proof IK10 ratings



Weatherproof



360° continuously Pan



Operating Temperature -35°C to 55°C



2-alarm input, 2-alarm output (selection)

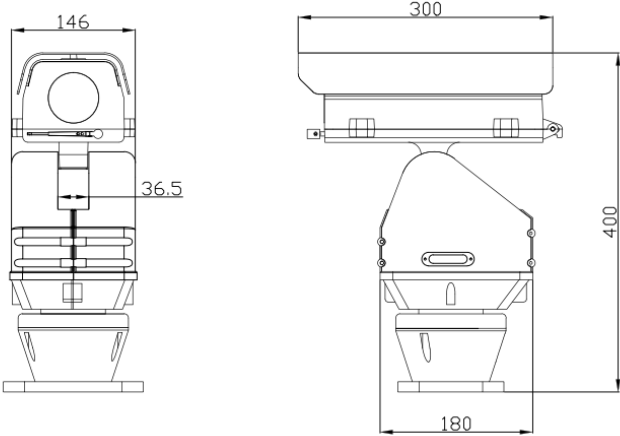
## Technical Data

|                                    | AP2 V2  | AP2 V2 - IR     |
|------------------------------------|---|-----------------|
| <b>General</b>                     |   |                 |
| Ingress Protection                 | IP66 / 67   |                 |
| Operating Temperature              | -35°C to 55°C   |                 |
| Relative Humidity                  | 90%   |                 |
| <b>Mechanical</b>                  |   |                 |
| Material                           | Die-cast aluminum material  |                 |
| Built-in Wiper Mechanism           | Yes   |                 |
| Overall Dimension (WxHxD)          | 146×400×300mm   | 353.5×400×300mm |
| Weight (without camera and lens)   | 9kg   | 9kg             |
| Pan Speed                          | 0.1° ~ 40°/s  |                 |
| Tilt Speed                         | 0.1° ~ 20°/s  |                 |
| Preset Pan Speed                   | 100°/s  |                 |
| Preset Tilt Speed                  | 30°/s   |                 |
| Pan range                          | Pan range 360° continuously                                       |                 |
| Tilt range                         | Tilt range -70° ~ +33°  |                 |
| <b>Electrical</b>                  |   |                 |
| Operating Voltage                  | AC24V 50/60Hz   |                 |
| Power consumption                  | 60VA  |                 |
| Built-in surge/lightning protector | Yes   |                 |
| <b>Telemetry Receiver</b>          |   |                 |
| Connection                         | RS485 or RS422 connection   |                 |
| Protocol                           | Pelco D or Pelco P (Please specify. Other protocols upon request) |                 |
| Preset                             | 128 (max)   |                 |
| 6 programmable pattern tracks      | Yes   |                 |
| Pan angle limit setting            | Yes   |                 |
| OSD menu function                  | Yes   |                 |
| Alarm I/O                          | 2-alarm input, 2-alarm output (selection)                         |                 |
| <b>IR Illuminator</b>              |   |                 |
| Illuminating Distance              | -   | 100m (max)      |
| <b>Standard Fitted</b>             |   |                 |
| Sunshield                          | Yes (can be excluded upon request)                                |                 |
| Thermostatically Controlled Heater | Yes (can be excluded upon request)                                |                 |
| <b>Optional Accessories</b>        |   |                 |
| Wall Mount Bracket                 | WBAP2V2   |                 |

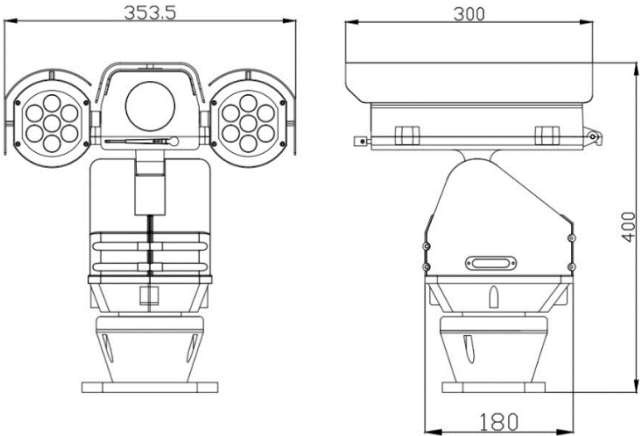
| Camera               |  |
|----------------------|--|
| Day/Night            | Automatically removable IR-cut filter  |
| Shutter Time         | 1~1/10K s  |
| Noise Reduction      | 2DNR, 3DNR, NR by motion   |
| Image Settings       | Color, Brightness, Sharpness, Contrast, White Balance, Exposure Control, Masking, Text Overlay   |
| Corridor Mode        | Corridor Mode 90°, 180°, 270° rotation   |
| Image                |  |
| Image Sensor         | 1/1.8" Progressive CMOS  |
| Effective Pixels     | HxV = 3864x2180, 8MP [4K]  |
| Pixel Size           | 2.0 μm   |
| Lens                 | f =6.4 mm (wide) to 138.5 mm (tele), F1.5  |
| FOV                  | Horizontal: 64° (wide), 3° (tele)      Vertical: 37° (wide), 2° (tele)   |
| Zoom                 | 22x Optical zoom, digital zoom ready   |
| Min. Illumination    | Color: 0.04Lux      B/W: 0.002Lux  |
| Frame Rate (Maximum) | H265: HDR 4K @30fps + d1@30fps<br>HDR 6M @30fps + 720p @30fps  |
|                      | H264: HDR 4K @30fps + d1@30fps<br>HDR 6M @30fps + 720p @30fps  |
|                      | MJPEG: 1080p @30fps  |
| Compression Standard |  |
| Video Compression    | H.265/H.264/MJPEG  |
| Video Streaming      | Up to 4 individually configurable streams in H.265/ H.264/ MJPEG<br>Configurable resolution/ frame rate/ bandwidth LBR/ VBR/ CBR in H.265/ H.264 |
| Network              |  |
| Security             | User Authentication/ HTTPS/ IP Filter/ IEEE 802.1x   |
| Supported Protocols  | ARP, PPPoE, IPv4/v6, ICMP, IGMP, QoS, TCP, UDP, DHCP, UPnP, SNMP, SMTP, RTP, RTSP, HTTP, HTTPS, FTP, NTP, DDNS                                   |
| ONVIF                | Profile S/ G/ Q/ T conformant  |
| System Integration   |  |
| Analytics            | Motion Detection/ Tampering  |
| General              |  |
| Storage              | Support for microSD/ microSDHC/ microSDXC card<br>Support for recording to NAS   |

\*Analog camera and other camera module options are available upon request.

## Outline Dimensions (mm)



AP2 V2 Outline Dimensions



AP2 V2 - IR Outline Dimensions

AP2 V2 - X - 22x4K



IR Options

Blank : No additional option

IR : Integrated IR Illuminator

## Optional Accessories

WBAP2V2 : Wall Bracket