

## SX1PTZ-G-VXT Series

Explosion Proof PTZ Thermal Camera Station  
Integrated with Ventionex Thermal Camera Module



SX1PTZ-G

### Main Features

---



Marine grade  
AISI316L Stainless  
Steel material



Ex II 2 G Ex db op pr IIC T6 Gb  
/ Ex II 2 D Ex tb op pr IIIC  
T80°C Db



Option for Wi-Fi  
2.4 GHz and 5 GHz



Option for IEEE  
802.3bt PoE++  
(90Watt)



IP 66 / 68



Option for thermal  
camera available

## Technical Data

General	
Certification	Ex II 2 G Ex db op pr IIC T6 Gb / Ex II 2 D Ex tb op pr IIIC T80°C Db
Protection Level	IP 66 / 68, TVS 6000V Lightning Protection, Surge Protection and Voltage Transient Protection
Operating Temperature	-40°C to 60°C
Relative Humidity	≤95%
Mechanical	
Body Material	Stainless steel 316L material
Sight Glass Material	Window with Germanium glass
Pan & Tilt Speed	Variable speed option: 0.1°/s to 45°/s
Pan & Tilt Movement	Pan: 360° continuously      Tilt: -90° ~ +90°
Overall Dimension (WxHxD)	<i>Please refer to overall dimension drawings of each model.</i>
Internal Usable Size for Camera Module	G Series: Ø80 x 155 mm; GL Series: Ø95 x 155 mm
Cable Entries	1 x M25 (optional additional cable entry upon request)
Weight	Approximate 38KG
Electrical	
Operating Voltage	AC110-240V (0.5A - 1.10A), 50/60Hz Optional: IEEE 802.3bt PoE++(90W)
Power Consumption	Max 110W (110V), Max 120W (240V)
Thermostatically Controlled Heater	T°C on: <10°C, T°C off: >10°C
Optional	
Built in Fiber Optic Module	Single Mode or Multi Mode (-SM or -MM or -DM model, please refer to below ordering info)
Wi-Fi	Wi-Fi 2.4 GHz and 5 GHz
Accessories	
Standard	Sunshield for Camera Housing
Optional	Wall Bracket, Sunshield for Pan & Tilt Body

## Thermal Camera/Lens

	384	640
Video		
Type	Uncooled FPA microbolomete	
Resolution	384x288	640x480
Pixel pitch	17µm	
NETD	≤50mK@f1.0, 300K, 30Hz	
Field Frequency	50Hz	
Spectral range	8 ~ 14 µm	
Lens		
Focal Length Options	Motorized focus lens: 4.8mm, 8mm(f0.8), 12mm, 20mm, 35mm, 50mm, 75mm	
Focus Control	Motorized focus by pressing "focus +/-" button	

Operational		
OSD	Off / On (English: 20 characters, 5 Lines)	
Pan & Tilt Control	Yes	
Frame Frequency	25 / 30Hz	
Brightness	Manual adjustment (0~100)	
Gain Control	Manual adjustment (0~100)	
Image Enhancement	On / Off (Edge enhancement only)	
Digital Noise Reduction (DNR)	SSNR (2D) Noise Filter (Off / On)	
Rotate Image	Flip: On / Off, Mirror: On / Off	
Intelligent Video Analytics	Motion Detection	
Alarm Triggers	Temperature Alarm, Motion Detection	
Built-in Motion Detection	Off / On (3 Zones, Rectangular)	
Temperature Alarm Events	Up to 10 rectangular ROIs, temperature setting in each ROI in max., min., or average	
Built-in Motion Detection	Off / On (3 Zones, Rectangular)	
Detection Mode (Thermal Core)	Normal Temperature Range	-20 °C ~ 120 °C
	High Temperature Range	0 °C ~ 500 °C
Measurement accuracy in lab condition	±2°C or ±2% of temperature reading (Thermal camera with normal temperature detection mode has better accuracy than camera with high temp. mode)	
Application	Fire prevention, Preventive maintenance, Intrusion detection (human, animal) and other general analysis application	
Network		
Ethernet	RJ45 (10/100BASE-T)	
Video Compression Format	H264 (MPEG-4 Part 10/AVC) : Main/Baseline/High Motion JPEG	
Resolution	720x756, 640x480, 584x288, 720x480, 520x240	
Max. Frame Rate	[H264] Max 30fps at all resolutions, [MJPEG] Max 15fps@640x480	
Bitrate Control Method	CBR or VBR, Motion JPEG: VBR (Bitrate Range: 128K ~ 1M)	
Streaming Capability	Multiple Streaming (Up to 3 profiles) Max. Users Number: 10 (total bitrate), Max. Profile Count: 4, Fixed Profile (Default): 2	
IP	IPv4, IPv6	
Protocol	TCP/IP, UDP/IP, RTP(UDP), RTP(TCP), RTCP, RTSP, NTP, HTTP, HTTPS, SSL, DHCP, PPPoE, FTP, ICMP, IGMP, ARP, DNS, DDNS, SMTP	
Security	IP Address Filtering User access Log HTTPS(SSL) Login Authentication, Digest Login Authentication, 802.1X Authentication	
Streaming Method	Unicast / Multicast	
Max. User Access	Max. 10 users access	
API	ONVIF Profile S Ver 2.4	
Web Language (17)	English, French, German, Spanish, Italian, Chinese, Korean, Russian, Japanese, Swedish, Dutch, Portuguese, Turkish, Polish, Czech, Hungarian, Greek	
Web Viewer	Supported OS: Windows XP / VISTA / 7 / 8 / 8.1 / 10 Supported Browser: Microsoft Internet Explorer (Ver. 9~11)	

## Thermal Camera Lens FOV and DORI Comparison

Measured max. range for **human** detection, recognition, and identification with 0.5m width x 1.8m height:

Resolution	Lens (mm)	FOV	Detection (m)	Recognition (m)	Identification (m)
640x480	4.8	97.15° x 80.73°	178.58	44.64	22.32
	8	68.43° x 54.04°	297.63	74.41	37.20
	12	48.77° x 37.56°	446.44	111.61	55.80
	20	30.43° x 23.06°	744.07	186.02	93.01
	35	17.67° x 13.30°	1302.11	325.53	162.76
	50	12.42° x 9.33°	1860.16	465.04	232.52
	75	8.30° x 6.23°	2790.24	697.56	348.78
384x288	4.8	68.43° x 54.04°	178.58	44.64	22.32
	8	44.39° x 34.03°	297.63	74.41	37.20
	12	30.43° x 23.06°	446.44	111.61	55.80
	20	18.54° x 13.96°	744.07	186.02	93.01
	35	10.66° x 8.00°	1302.11	325.53	162.76
	50	7.47° x 5.61°	1860.16	465.04	232.52
	75	4.98° x 3.74°	2790.24	697.56	348.78

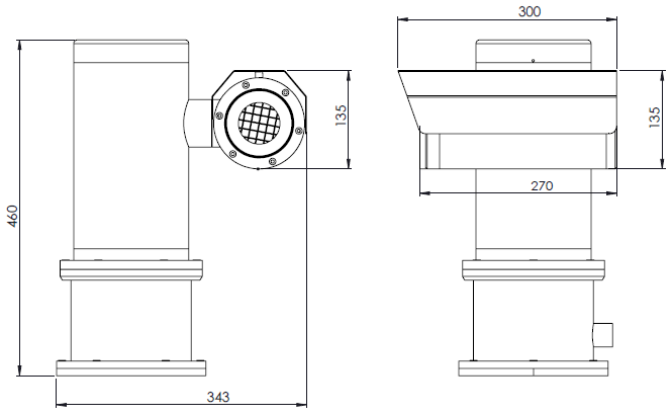
Measured max. range for **small vessel** detection, recognition, and identification with 4.5m width x 2.3m height:

Resolution	Lens (mm)	FOV	Detection (m)	Recognition (m)	Identification (m)
640x480	4.8	97.15° x 80.73°	605.58	151.40	75.70
	8	68.43° x 54.04°	1009.30	252.32	126.16
	12	48.77° x 37.56°	1513.95	378.49	189.24
	20	30.43° x 23.06°	2523.25	630.81	351.41
	35	17.67° x 13.30°	4415.68	1103.92	551.96
	50	12.42° x 9.33°	6308.12	1577.03	788.52
	75	8.30° x 6.23°	9462.18	2365.55	1182.77
384x288	4.8	68.43° x 54.04°	605.58	151.40	75.70
	8	44.39° x 34.03°	1009.30	252.32	126.16
	12	30.43° x 23.06°	1513.95	378.49	189.24
	20	18.54° x 13.96°	2523.25	630.81	351.41
	35	10.66° x 8.00°	4415.68	1103.92	551.96
	50	7.47° x 5.61°	6308.12	1577.03	788.52
	75	4.98° x 3.74°	9462.18	2365.55	1182.77

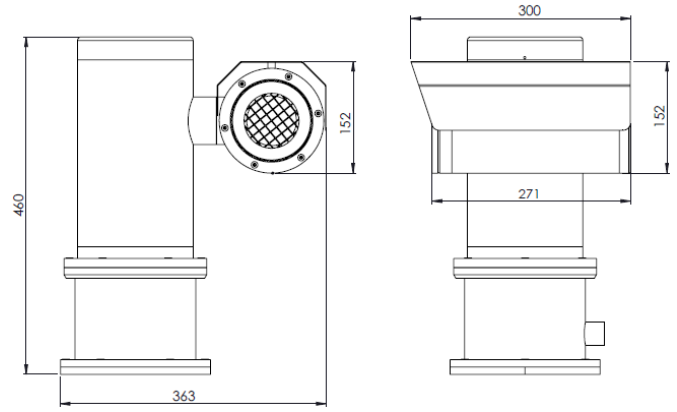
\*Lens 35mm, 50mm and 75mm will need to use GL Housing Series only.

### Lens Comparison Table

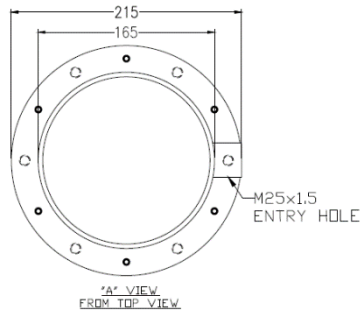
## Outline Dimensions (mm)



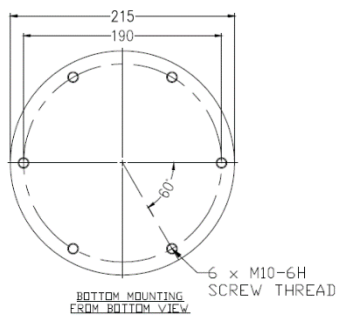
SX1PTZ-G Outline Dimensions



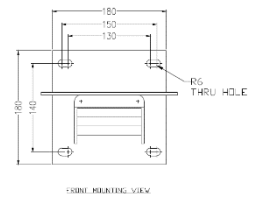
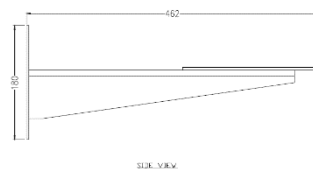
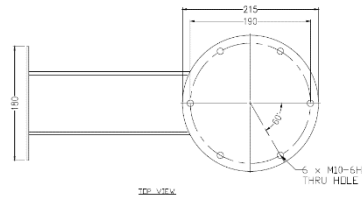
SX1PTZ-GL Outline Dimensions



Base View from Top



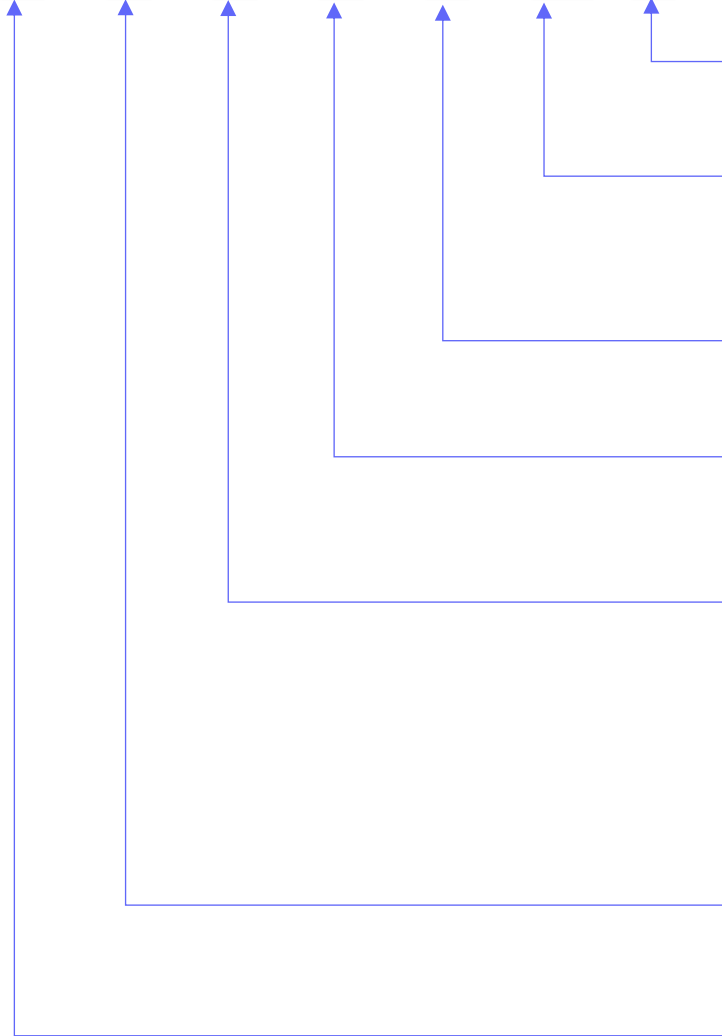
Base View from Bottom for Mounting



WB-SX1PTZ - Wall Bracket Outline Dimensions

## Model & Ordering Code

SX1PTZ - X - X - X - X - X - X - X



### POE Options

Blank : No additional option  
POE : POE++

### Built-in Fiber Optic Module Options

Blank : No additional option  
SM : Single Mode  
MM : Multi Mode  
DM : Dual Mode

### Wi-Fi Options

Blank : No additional option  
Wi-Fi : Wi-Fi 2.4 GHz and 5 GHz

### Detection Mode Options

Blank : Normal Temperature  
H : High Temperature

### Thermal Camera Focal Length Options

M4.8 : 4.8 mm motorized lens  
M8 : 8 mm motorized lens  
M12 : 12 mm motorized lens  
M20 : 20 mm motorized lens  
M35 : 35 mm motorized lens  
M50 : 50 mm motorized lens  
M75 : 75 mm motorized lens

*\*Please refer lens comparison table above.*

### Thermal Camera Module Options

384 : 384x288 resolution  
640 : 640x480 resolution

### Camera Station Options

G : With Germanium Window and Front Guard  
GL : Large Diameter (143 mm) with Germanium Window and Front Guard

## Standard Accessories

SCH-SX1PTZ : Sunshield for Camera Housing

## Optional Accessories

WB-SX1PTZ : Wall Bracket  
SPT-SX1PTZ : Sunshield for Pan & Tilt Body